

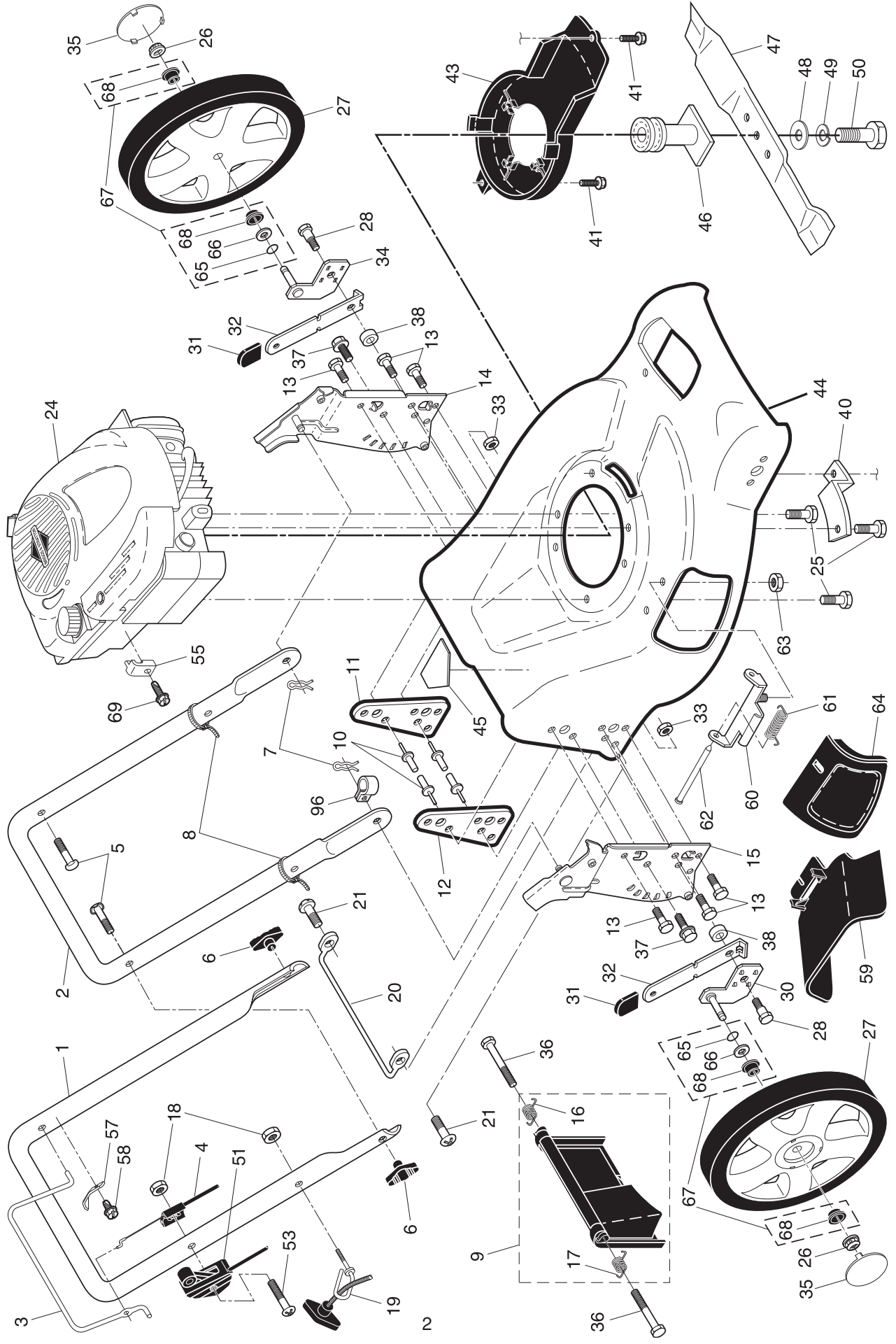
ILLUSTRATED PARTS LIST

CUSTOMER MODEL NUMBER P6553CM

PRODUCT NUMBER 961 41 00-10

MFG. ID. NUMBER 96141001001

ROTARY LAWN MOWER -- MODEL NUMBER P6553CM (96141001001) PRODUCT NUMBER 961 41 00-10

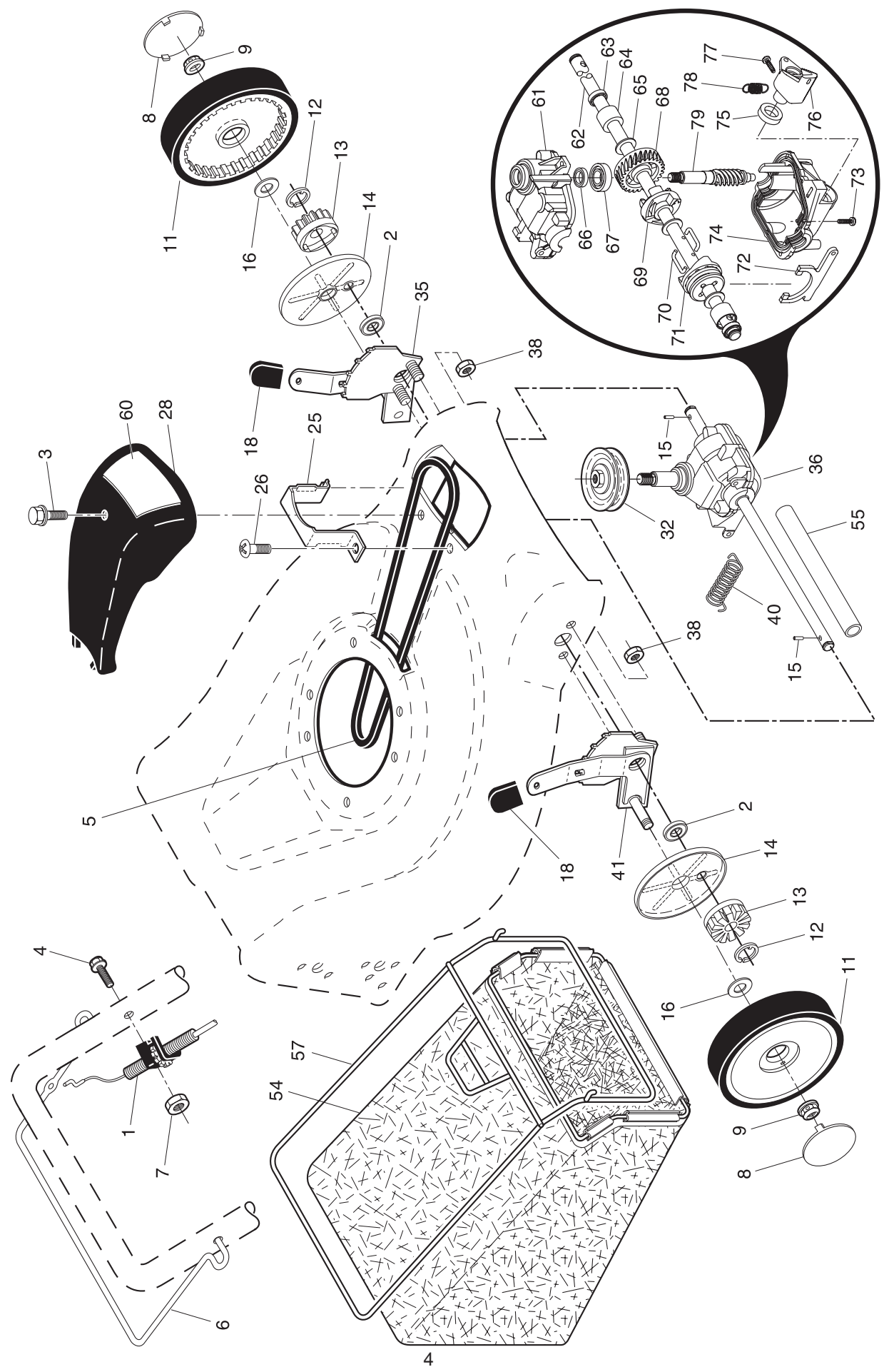


ROTARY LAWN MOWER - - MODEL NUMBER P6553CM (96141001001) PRODUCT NUMBER 961 41 00-10

KEY NO.	PART NO.	DESCRIPTION	KEY NO.	PART NO.	DESCRIPTION
1	532 19 56-75	Upper Handle	36	532 18 41-93	Bolt
2	532 15 36-05	Lower Handle	37	532 15 00-78	Thread Cutting Screw w/Sems 5/16-18 x 3/4
3	532 18 28-10	Control Bar	38	819 11 22-06	Spacer
4	532 13 31-07	Engine Zone Control Cable	40	532 19 09-39	Mounting Bracket, Debris Shield
5	532 19 15-74	Handle Bolt	41	532 19 23-25	Screw
6	532 19 19-38	Handle Knob	43	532 19 36-68	Debris Shield
7	532 05 17-93	Hairpin Cotter	44	532 18 17-97	Kit, Lawn Mower Housing
8	532 06 64-26	Wire Tie			(Includes Key Numbers 10, 11, 12 and 45)
9	532 18 04-79	Kit, Rear Door (Includes Key #16 and 17)	45	532 18 21-66	Danger Decal
10	532 12 84-15	Pop Rivet	46	532 19 77-52	Blade Adapter / Pulley
11	532 18 25-38	Support Bracket, LH	47	532 17 50-52	Blade, 21"
12	532 18 25-39	Support Bracket, RH	48	532 85 10-74	Hardened Washer
13	817 06 04-10	Screw 1/4-20 x 5/8	49	532 85 02-63	Helical Washer 3/8-24 x 1-3/8 Grade 8
14	532 18 25-43	Handle Bracket Assembly, LH	50	532 85 10-84	Hex Head Machine Screw 3/8-24 x 1-3/8 Grade 8
15	532 18 25-45	Handle Bracket Assembly, RH	51	532 17 02-94	Throttle Control
16	532 18 00-71	Spring, Rear Door, LH	53	532 18 33-65	Screw
17	532 18 00-72	Spring, Rear Door, RH	55	532 11 11-90	Clamp, Cable
18	532 13 20-04	Keps Locknut 1/4-20	57	532 12 51-62	Upstop Bracket
19	532 17 95-85	Rope Guide	58	532 75 06-34	Screw
20	532 17 92-05	Foot Guard, C.E.	59	532 17 50-71	Discharge Deflector
21	532 05 45-83	Screw, Tapping 1/4-20 x 1/2	60	532 17 57-35	Hinge Bracket
24	---	Engine, Briggs & Stratton, Model Number 123K02 (order parts from engine manufacturer)	61	532 19 30-00	Hinge Spring
25	532 15 04-06	Hex Head Thread Rolling Screw 3/8-16	62	532 17 56-50	Hinge Rod
26	532 08 39-23	Hex Flange Nut	63	873 80 04-00	Nut, Hex
27	532 18 17-85	Wheel	64	532 17 50-66	Mulcher Door
28	532 16 08-28	Shoulder Bolt 5/16-18 x .33	65	532 18 81-52	O-Ring
30	532 18 25-41	Axle Arm Assembly, Rear, RH	66	532 08 83-48	Washer, Flat
31	532 17 54-77	Selector Knob	67	532 19 34-98	Kit, Bushing, High Wheel
32	532 18 25-37	Selector Spring	68	532 19 36-96	Bushing, Nylon, Black
33	873 80 05-00	Nut, Hex 5/16-18	69	532 08 38-16	Screw, Cable Clamp
34	532 18 25-42	Axle Arm Assembly, Rear, RH	96	532 19 27-70	Clip, Cable
35	532 19 25-19	Hubcap	--	532 19 48-70	Operator's Manual, European
			--	532 19 48-71	Operator's Manual, Scandinavian

NOTE: All component dimensions given in U.S. inches. 1 inch = 25.4 mm. **IMPORTANT:** Use only Original Equipment Manufacturer (O.E.M.) replacement parts. Failure to do so could be hazardous, damage your lawn mower and void your warranty.

ROTARY LAWN MOWER -- MODEL NUMBER P6553CM (96141001001) PRODUCT NUMBER 961 41 00-10



ROTARY LAWN MOWER - - MODEL NUMBER P6553CM (96141001001) PRODUCT NUMBER 961 41 00-10

KEY NO.	PART NO.	DESCRIPTION	KEY NO.	PART NO.	DESCRIPTION
1	532 19 34-80	Drive Control Assembly, with Cable	41	532 19 51-07	Kit, Wheel Adjuster, RH (Includes Knob and Bearing)
2	532 19 10-39	Bearing, Wheel Adjuster	54	532 19 48-53	Grassbag Assembly
3	532 17 52-62	Pan Head Tapping Screw #10-24 x 2-3/4	55	532 17 57-39	Driveshaft Cover
4	532 18 56-81	Hex Washer Head Screw 1/4-20 x 2.12	57	532 19 46-43	Frame, Grassbag
5	532 19 68-53	V-Belt	60	532 19 42-93	Decal, Drive Cover
6	532 19 84-53	Control Bar, Drive	61	532 19 68-86	Case, Upper
7	532 75 11-52	Locknut, Hex #10-24	62	532 19 68-85	Shaft, Output
8	532 16 43-78	Hubcap	63	532 18 35-08	Seal, Output Shaft
9	532 14 52-12	Locknut, Hex	64	532 18 35-11	Bushing
11	532 18 07-67	Wheel & Tire Assembly	65	532 18 35-09	Washer
12	812 00 00-58	E-Ring	66	532 18 35-14	Seal, Worm Shaft
13	532 75 00-03	Pinion	67	532 18 35-06	Bearing, Ball
14	532 18 94-03	Dust Cover	68	532 18 34-99	Gear, 27 Teeth
15	532 19 10-17	Pawl, Drive	69	532 19 68-84	Fixed Dog Clutch
16	532 06 77-25	Washer 1/2 x 1-1/2 x .134	70	532 18 35-05	Wireform
18	532 08 78-77	Selector Knob	71	532 19 68-83	Movable Dog Clutch
25	532 19 66-89	Belt Keeper	72	532 19 68-82	Fork
26	532 15 00-78	Screw	73	532 18 35-13	Screw, Case
28	532 18 14-66	Drive Cover	74	532 19 68-81	Case, Lower
32	532 19 40-18	Drive Pulley	75	532 19 68-80	Seal, Lever
35	532 19 51-10	Kit, Wheel Adjuster, LH (Includes Knob and Bearing)	76	532 19 68-79	Lever
36	532 18 82-96	Gearcase Assembly, Complete	77	532 19 68-78	Screw, Lever
38	873 80 04-00	Locknut, Hex 1/4-20	78	532 19 68-77	Spring
40	532 19 28-49	Spring	79	532 18 35-02	Shaft, Worm

NOTE: All component dimensions given in U.S. inches. 1 inch = 25.4 mm. **IMPORTANT:** Use only Original Equipment Manufacturer (O.E.M.) replacement parts. Failure to do so could be hazardous, damage your lawn mower and void your warranty.